



INNOVATIVE SOLUTIONS FOR ROPEWAY TRANSPORTATION //



ROPEWAY **Spare parts** CATALOG

LST, a company of



FIXED CHAIRLIFT

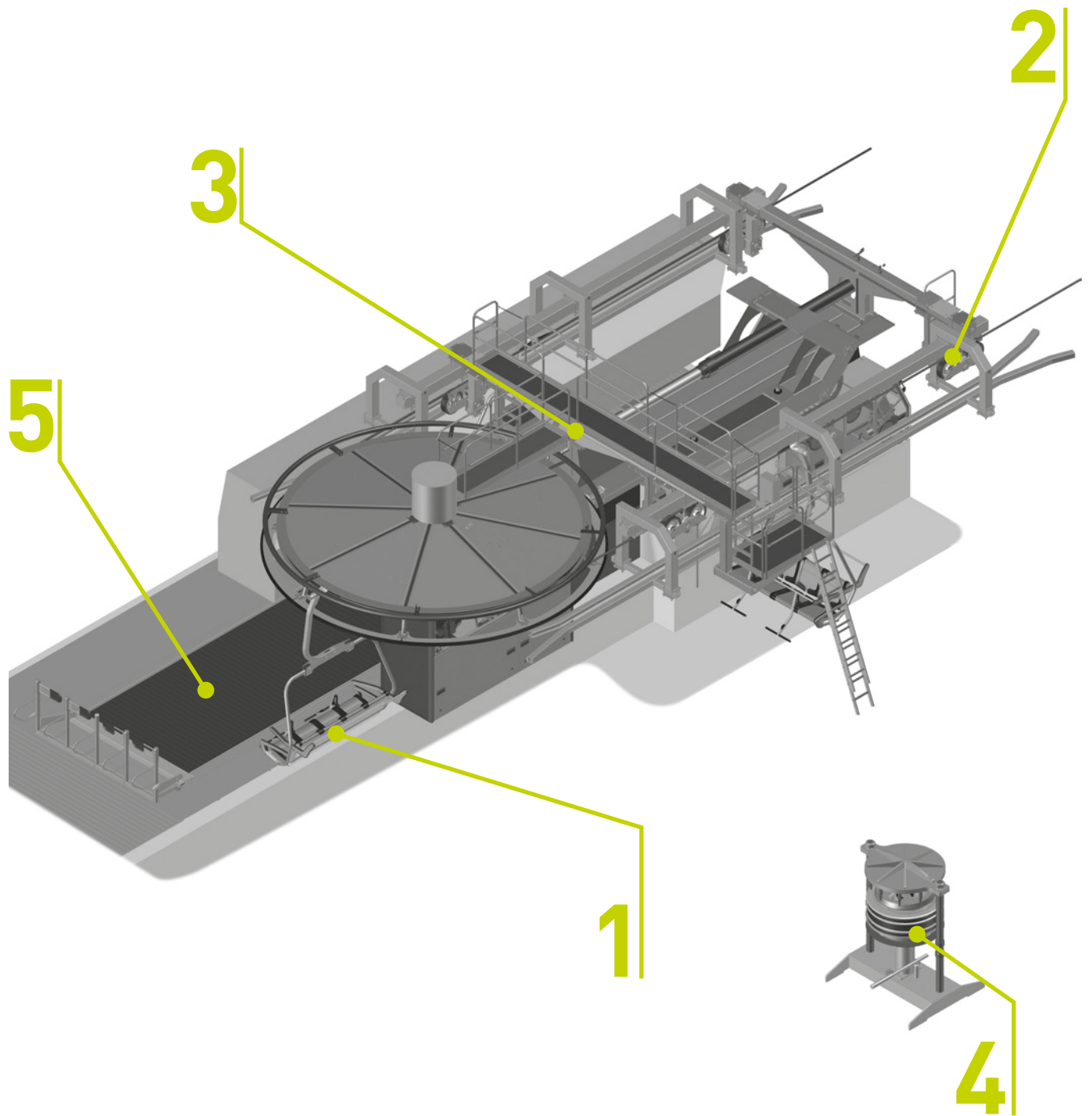


TABLE OF CONTENTS

1 VEHICULE

2 seat vehicle: Rope grip FK1	3
2 seat vehicle: Hanger rod	4
2 seat vehicle : 2 seater chair	5
4 seat vehicle: Rope grip FK2B	7
4 seat vehicle: Hanger rod	8
4 seat vehicle: 4 seater chair ECO	9
4 seat vehicle: 4 seater chair COMFORT	10
4 seat vehicle: 4 seater chair WIND	11

2 LINE

Wheel	13
Sheave assembly	14

3 SENSOR

Drive station	15-17
Return station	18

4 TOOL

Tool	19
------------	----

5 LOADING BELT

4 seater loading gate	21
4 seater loading belt	22-23

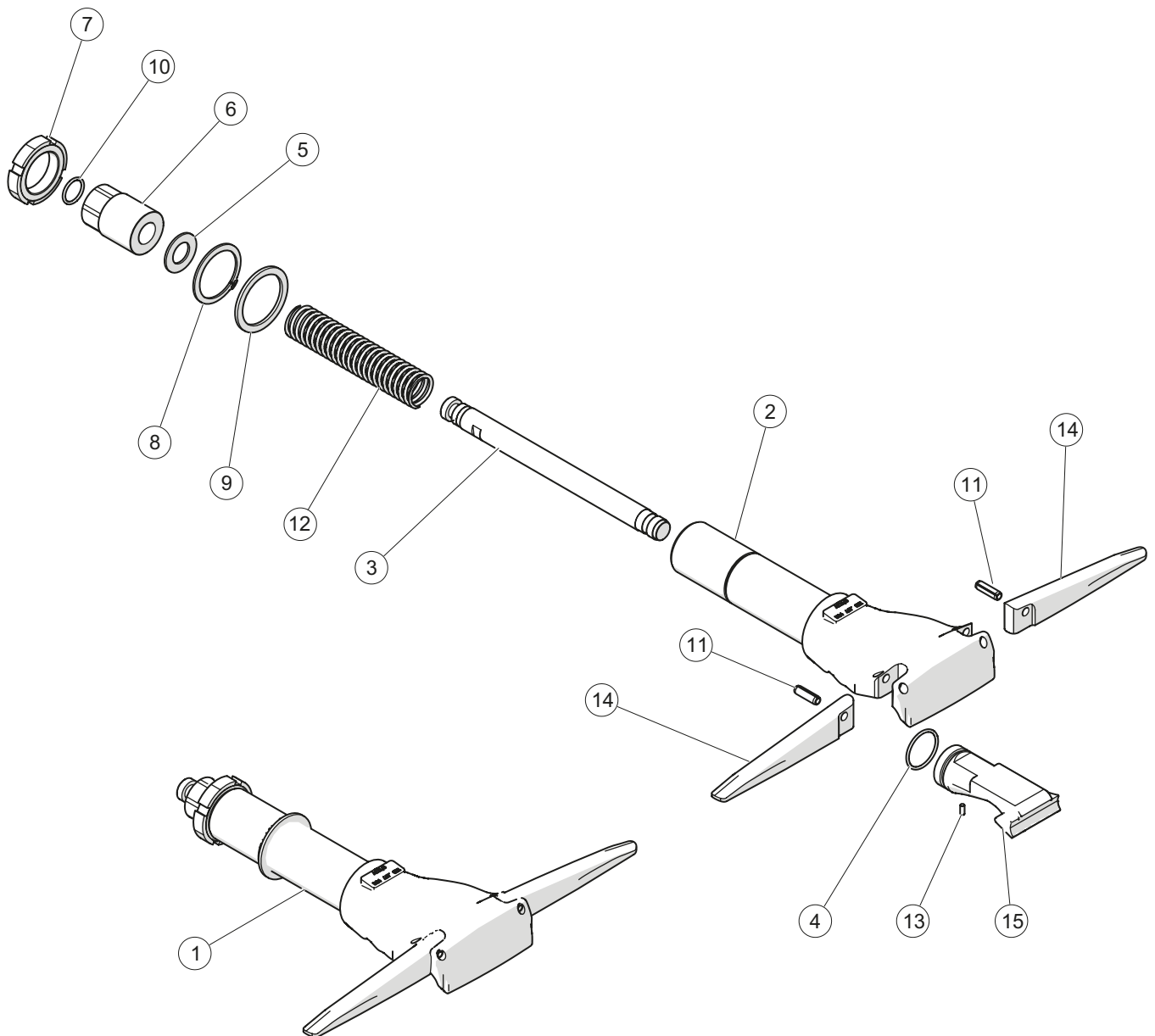
1 VEHICULE

2 seat vehicle



1 VEHICULE

2 seat vehicle: Rope grip FK1



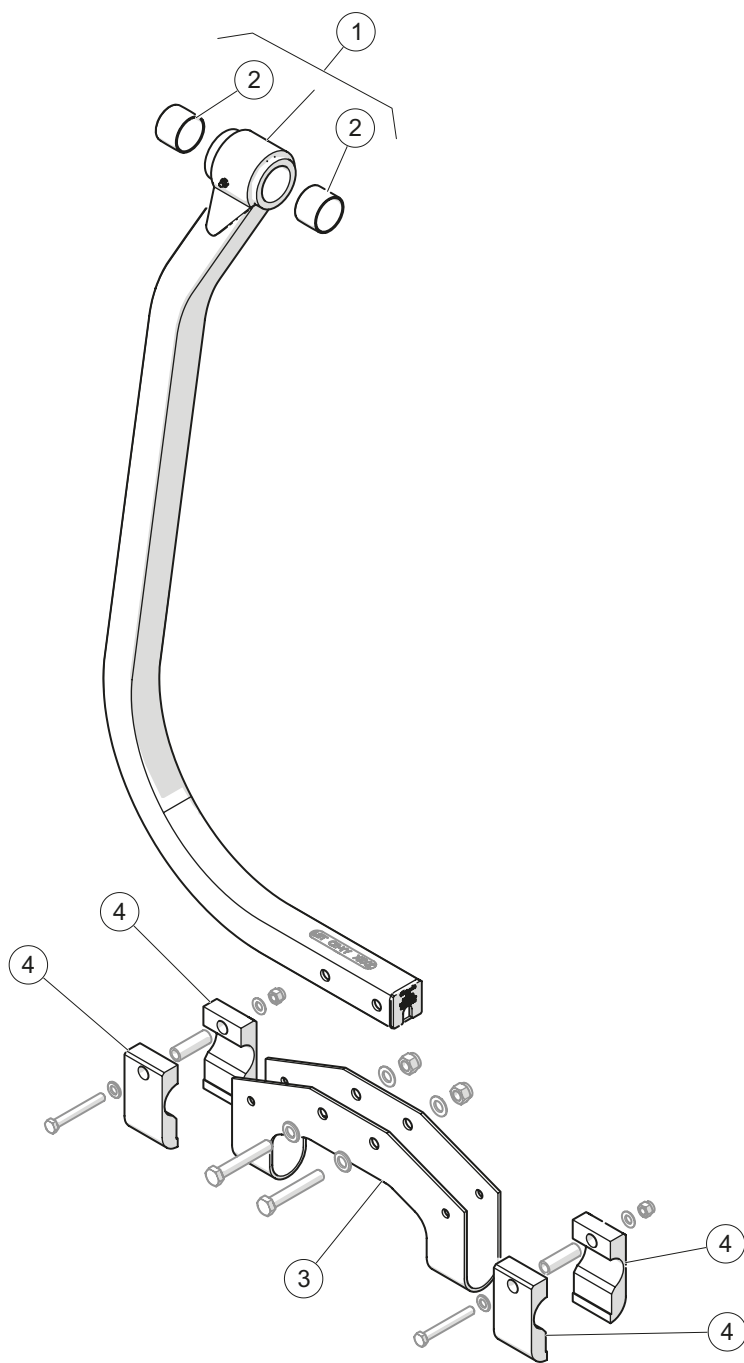
Marker	Cat. no	Designation	Quantity
①	LST-005348	Rope grip FK1*	1
②	LST-005349	Clamping body*	1
③	LST-000635	Axle	1
④	LST-000638	O-ring	1
⑤	LST-000639	Washer	1
⑥	LST-000640	Special nut	1
⑦	LST-000648	Nut	1
⑧	LST-000644	Circlip	1

Marker	Cat. no	Designation	Quantity
⑨	LST-000645	Washer	1
⑩	LST-000641	O-ring	1
⑪	LST-000646	Pin	1
⑫	LST-000643	Spring	1
⑬	LST-000647	Screw	1
⑭	LST-019062	Needle*	1
⑮	LST-005350	Pressure pad*	1

* Specify rope diameter.

1 VEHICULE

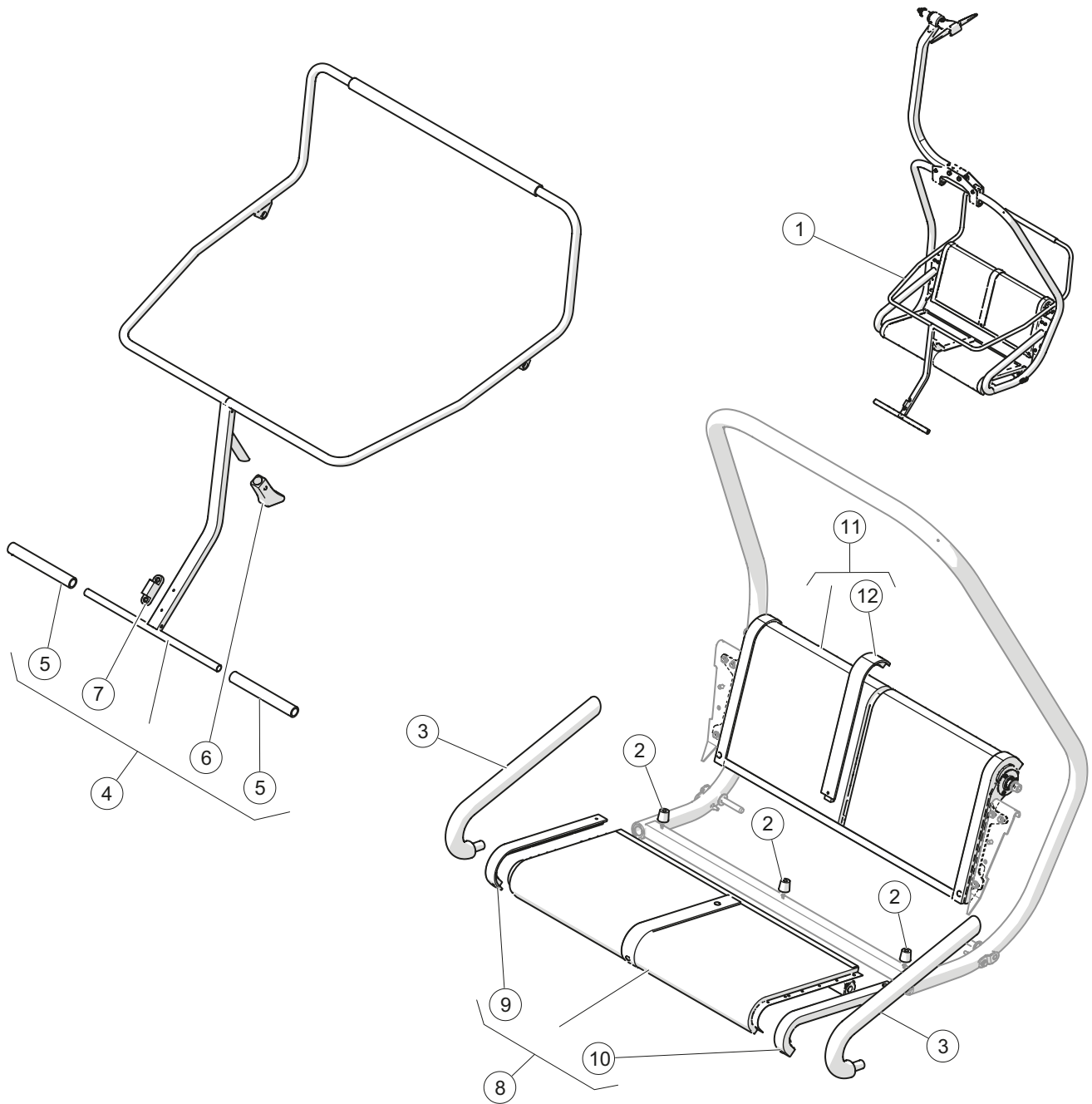
2 seat vehicle: Hanger rod



Marker	Cat. no	Designation	Quantity
①	LST-004353	Hanger rod	1
②	LST-000111	Bearing bushing	2
③	LST-000113	Hanger rod fixation	1
④	LST-000114	Damping rubber	4

1 VEHICULE

2 seat vehicle : 2 seater chair



Marker	Cat. no	Designation	Quantity
①	LST-058427	2 seater chair	1
②	LST-000068	Stopper	1
③	LST-006300	Arm rest	1
④	LST-004348	Safety bar	1
⑤	LST-000061	Protection	1
⑥	LST-000064	Stopper	1

Marker	Cat. no	Designation	Quantity
⑦	LST-000065	Stopper	1
⑧	LST-004350	Seat	1
⑨	LST-005746	Terminal block left	1
⑩	LST-005737	Terminal block right	1
⑪	LST-058434	Backrest	1
⑫	LST-005735	Terminal block middle	1

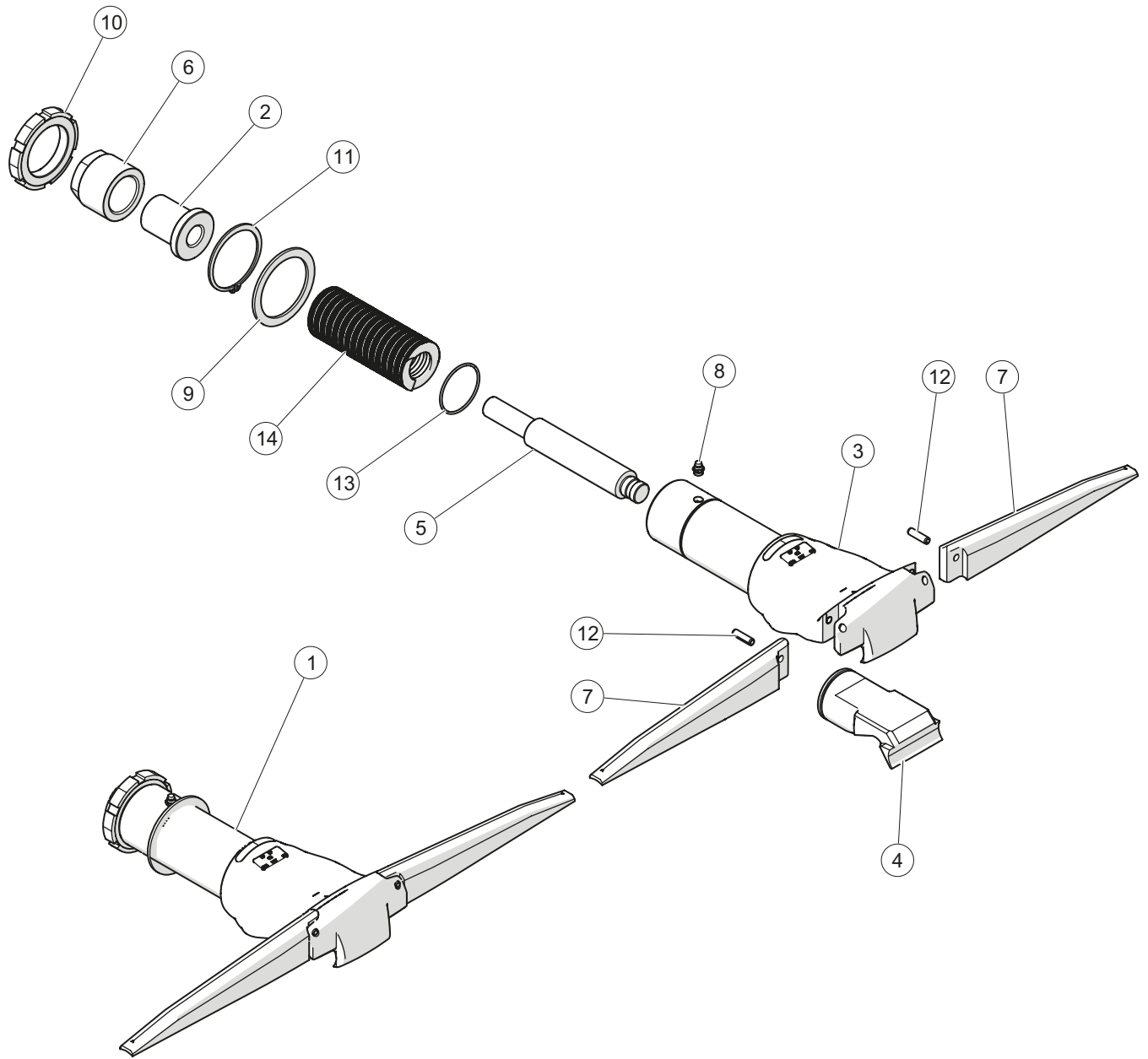
1 VEHICULE

4 seat vehicle



1 VEHICULE

4 seat vehicle: Rope grip FK2B



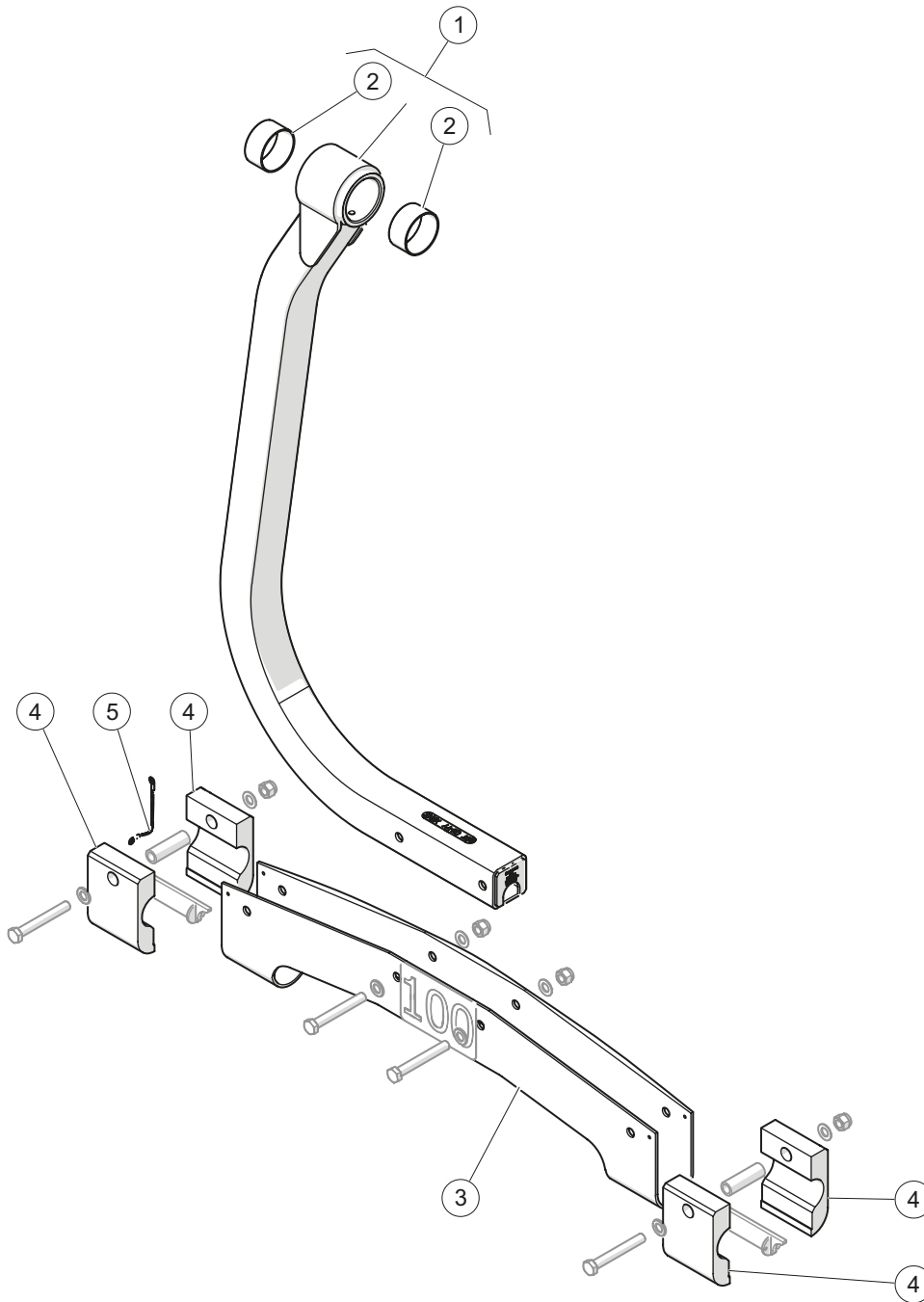
Marker	Cat. no	Designation	Quantity
①-00	202054	Grip for rope Ø38 mm*	1
①-01	202056	Grip for rope Ø42 mm*	1
②	201888	Distance washer	1
③-00	202060	Clamping body for rope Ø38 mm*	1
③-02	202064	Clamping body for rope Ø42 mm*	1
④-00	202061	Pressure pad for rope Ø38 mm*	1
④-01	202065	Pressure pad for rope Ø42 mm*	1
⑤	202068	Axle	1
⑥	202069	Nut	1

Marker	Cat. no	Designation	Quantity
⑦-00	211136	Needle for rope Ø38 mm*	1
⑦-01	204809	Needle for rope Ø42 mm*	1
⑧	222971	Greaser	1
⑨	222974	Washer	1
⑩	223034	Nut	1
⑪	221597	Circlip	1
⑫	221777	Pin	1
⑬	LST-022791	O-ring seal	1
⑭	LST-028820	Spring	1

*Other diameter on demand: Ø36 to 45mm

1 VEHICULE

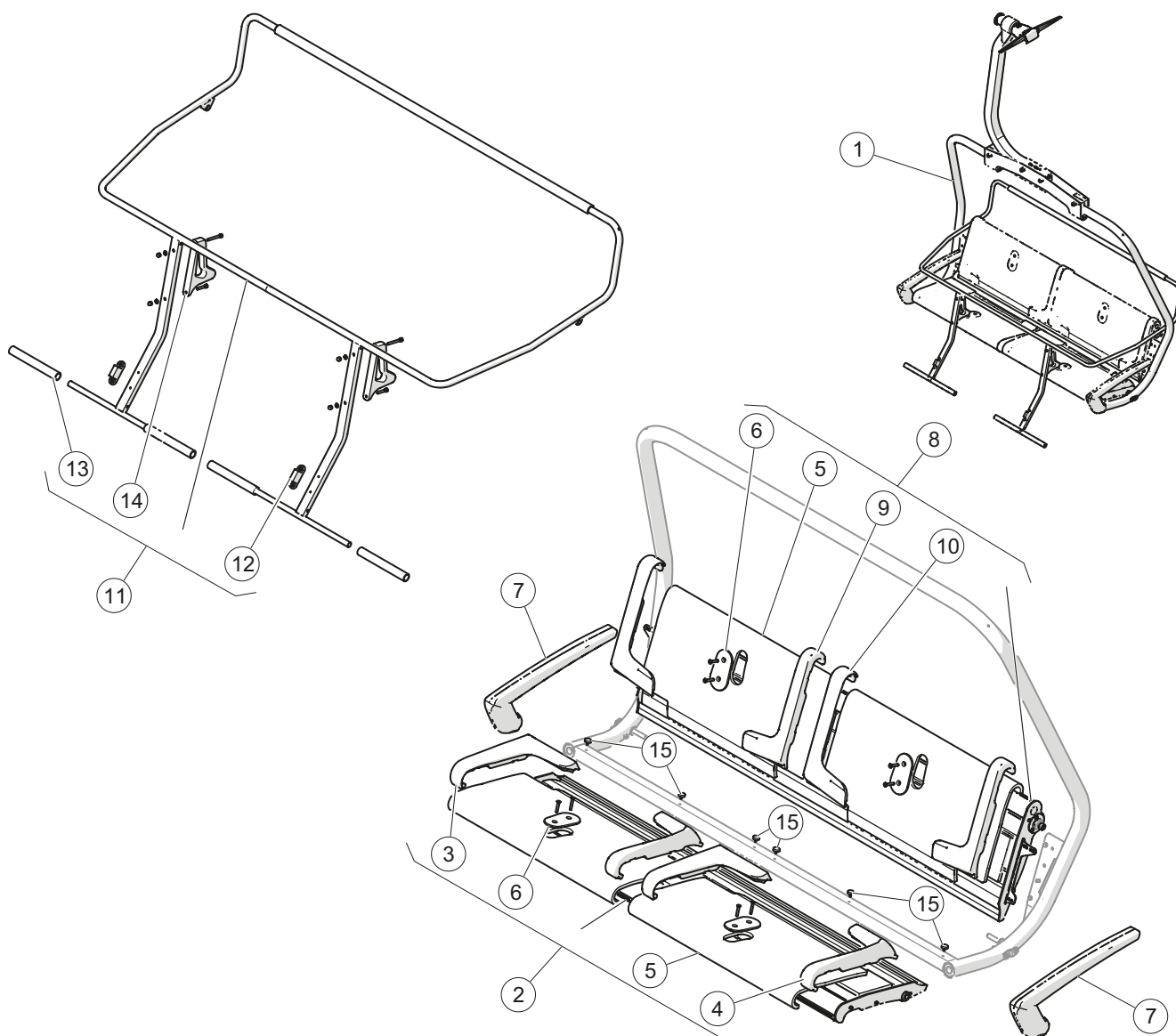
4 seat vehicle: Hanger rod



Marker	Cat. no	Designation	Quantity
①	LST-011156	Hanger rod	1
②	LST-011157	Bearing bushing	2
③	LST-000257	Hanger rod fixation	1
④	LST-000259	Damping rubber	4
⑤	LST-038462	Ground braided	1

1 VEHICULE

4 seat vehicle: 4 seater chair ECO

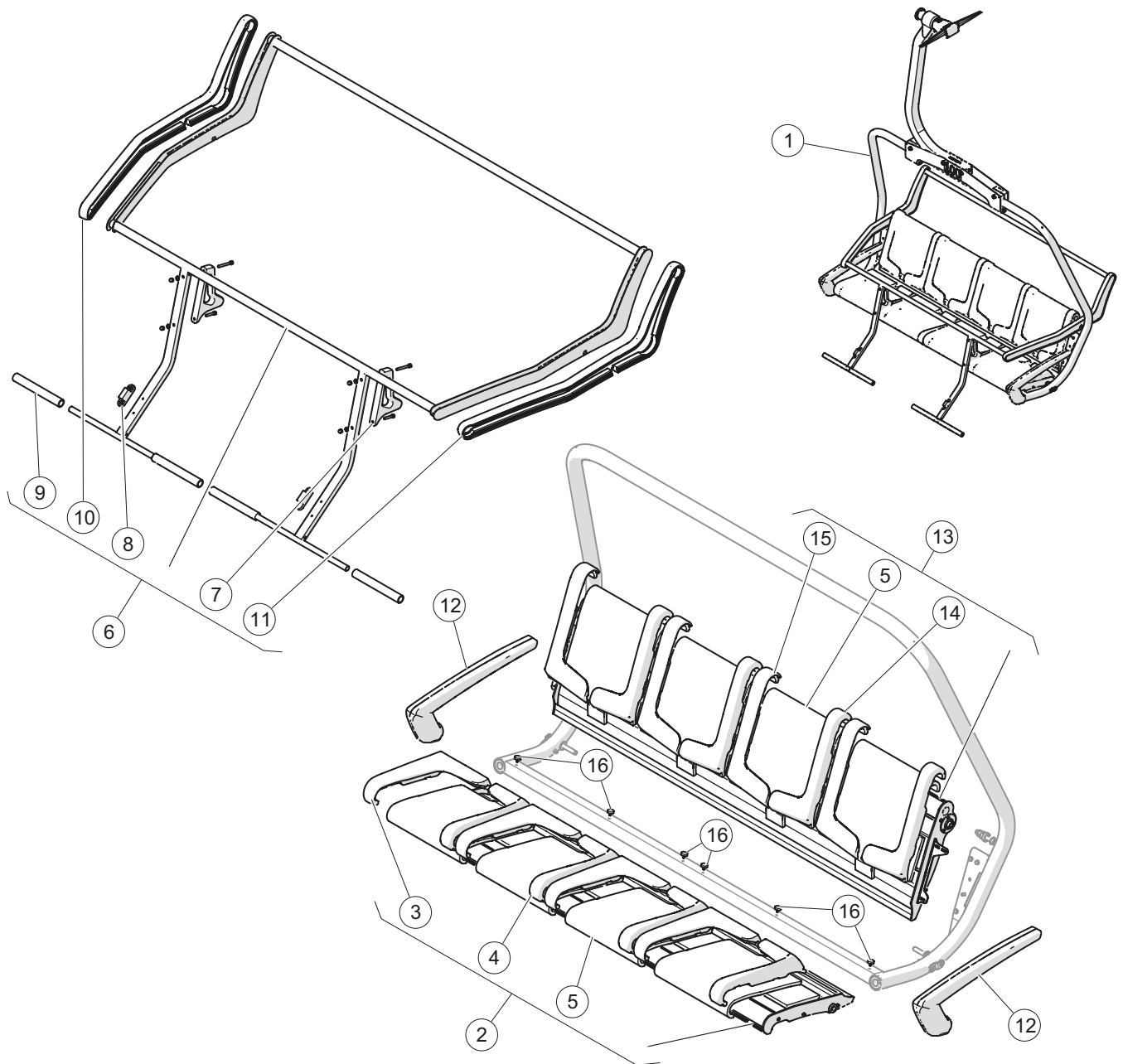


Marker	Cat. no	Designation	Quantity
①	LST-051999	4 seater chair ECO	1
②	LST-038313	Seat	1
③	LST-034354	Foam fixation (right)	2
④	LST-034357	Foam fixation (left)	2
⑤	LST-038293	Foam	4
⑥	LST-038297	Divider	4
⑦	LST-033118	Arm rest	2
⑧	LST-037282	Backrest	1

Marker	Cat. no	Designation	Quantity
⑨	LST-051132	Foam fixation (left)	2
⑩	LST-051129	Foam fixation (right)	2
⑪	LST-038315	Safety bar	1
⑫	LST-000065	Stopper	2
⑬	LST-000061	Protection	4
⑭	LST-033147	Stopper	2
⑮	LST-004936	Stopper	6

1 VEHICULE

4 seat vehicle: 4 seater chair COMFORT

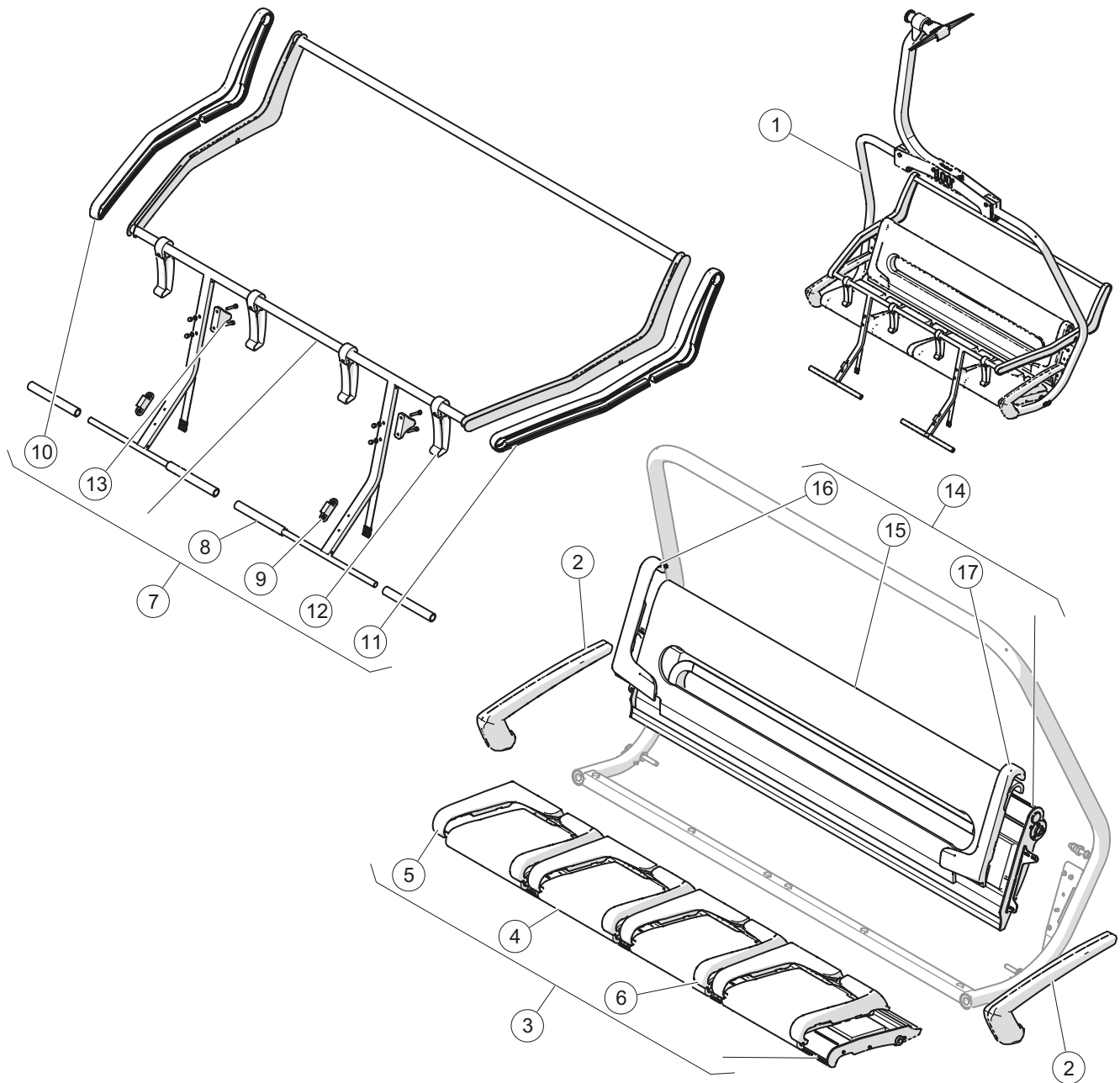


Marker	Cat. no	Designation	Quantity
①	LST-034461	4 seater chair comfort	1
②	LST-034155	Complet seat	1
③	LST-034354	Foam fixation (right)	4
④	LST-034357	Foam fixation (left)	4
⑤	LST-034217	Foam	8
⑥-00	LST-034267	Safety bar	1
⑥-01	LST-036123	Safety bar with child protection	1
⑦	LST-033147	Stopper	2
⑧	LST-000065	Stopper	2

Marker	Cat. no	Designation	Quantity
⑨	LST-000061	Protection	4
⑩	LST-034378	Side part	1
⑪	LST-034399	Side part	1
⑫	LST-033118	Arm rest	2
⑬	LST-038421	Backrest	1
⑭	LST-038410	Left fixation	4
⑮	LST-038409	Right fixation	4
⑯	LST-004936	Stopper	6

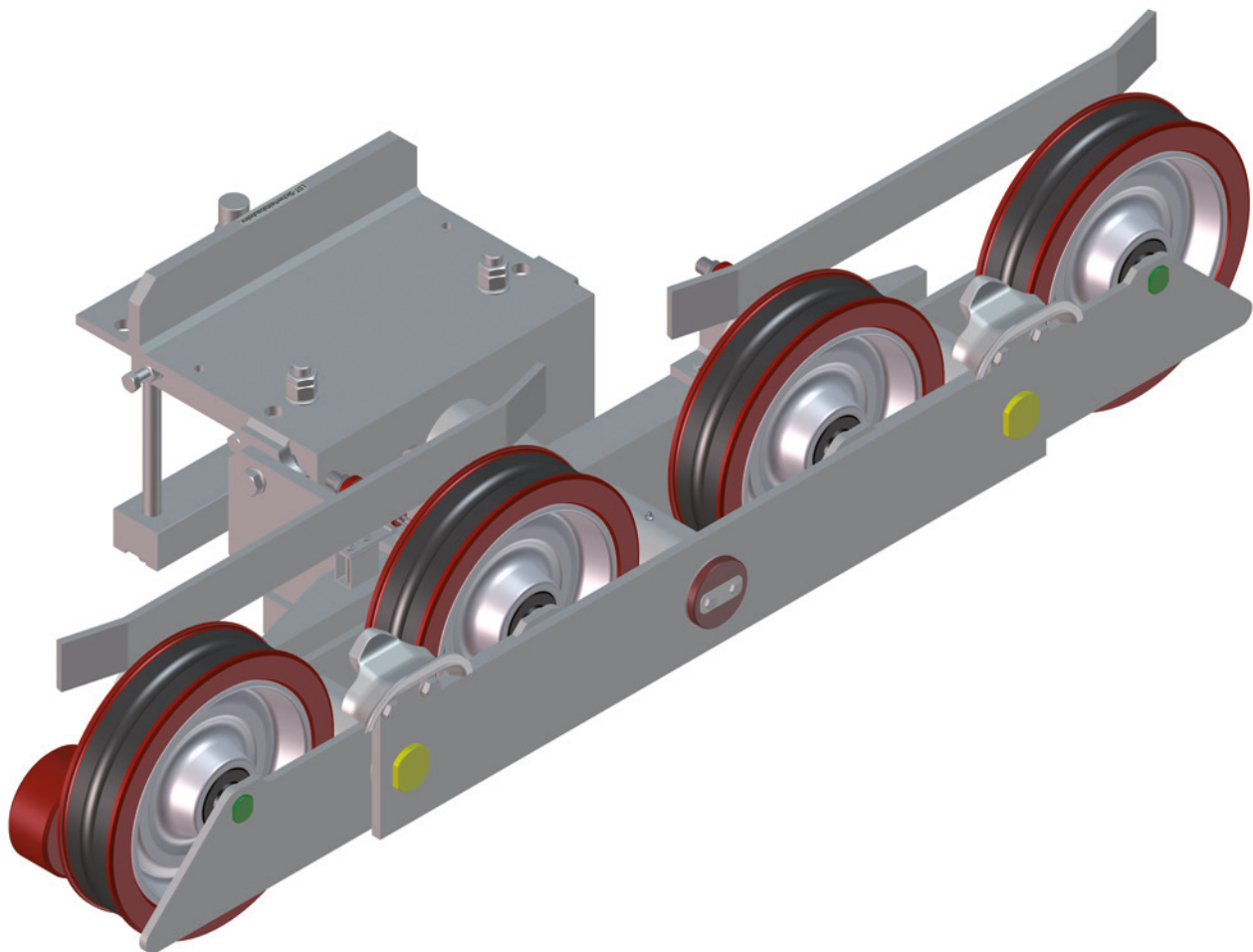
1 VEHICULE

4 seat vehicle: 4 seater chair WIND



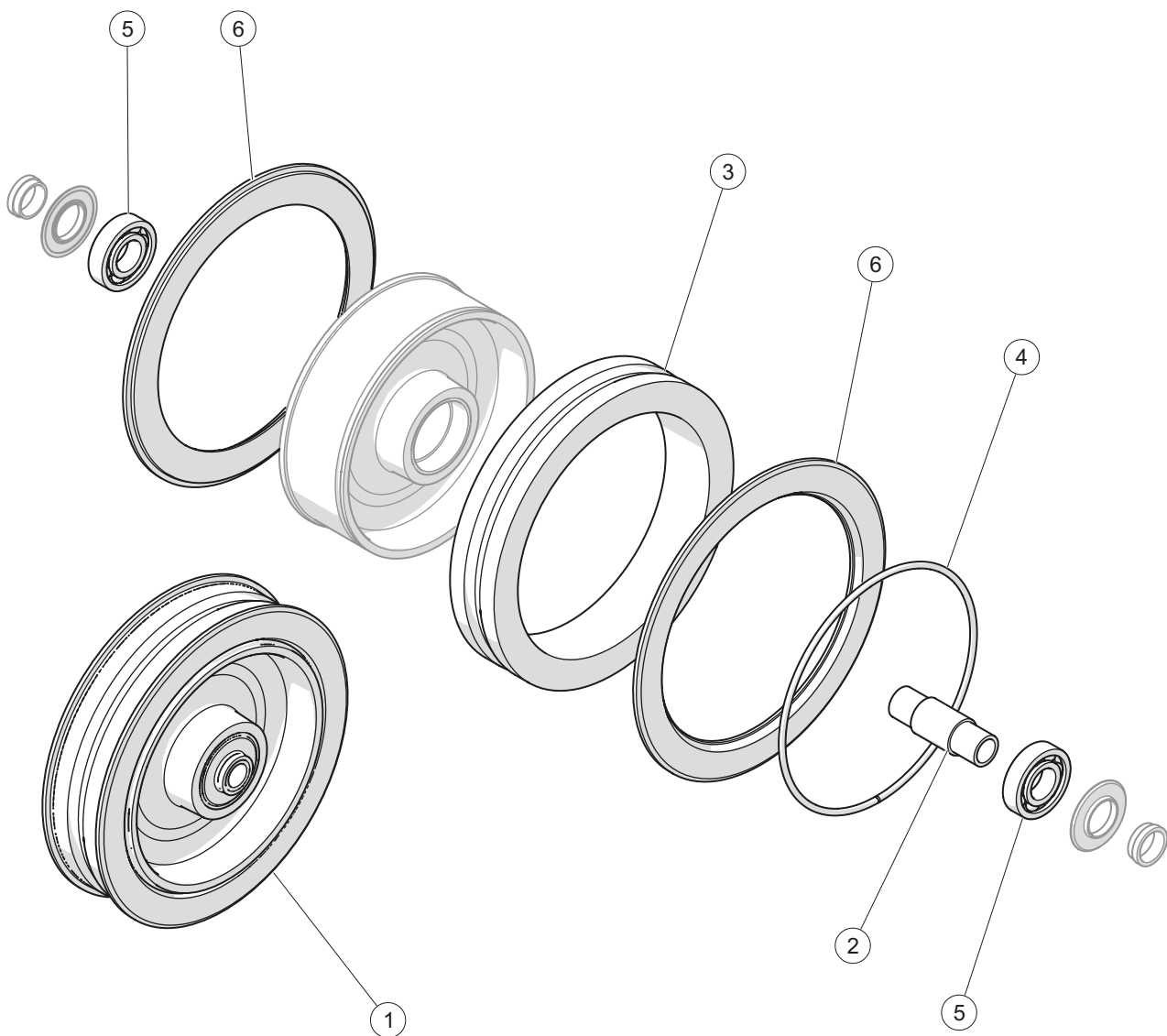
Marker	Cat. no	Designation	Quantity
①	LST-038683	4 seater chair WIND	1
②	LST-033118	Arm rest	2
③	LST-034155	Seat	1
④	LST-034217	Foam	4
⑤	LST-034354	Foam fixation (right)	4
⑥	LST-034357	Foam fixation (left)	4
⑦	LST-036123	Safety bar with child protection	1
⑧	LST-000061	Protection	4

Marker	Cat. no	Designation	Quantity
⑨	LST-000065	Stopper	2
⑩	LST-034378	Side part	1
⑪	LST-034399	Side part	1
⑫	LST-036124	Child protection	4
⑬	LST-036314	Stopper	2
⑭	LST-038685	Backrest	1
⑮	LST-038686	Foam	1
⑯	LST-051129	Foam fixation (right)	1
⑰	LST-051132	Foam fixation (left)	1



2 LINE

Wheel



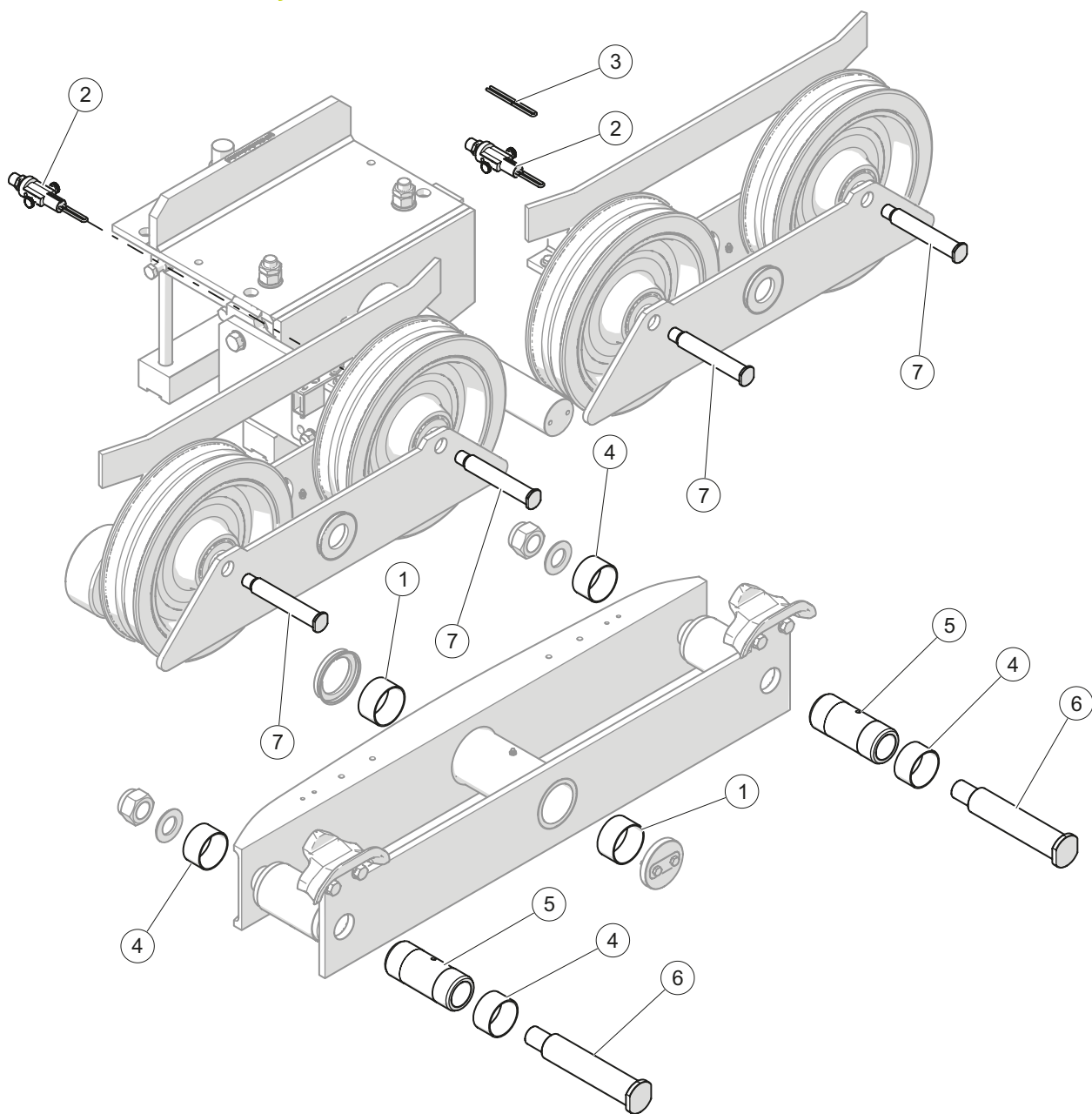
Marker	Cat. no	Designation	Quantity
①-00	LST-011016	Wheel for Ø38 rope*	1
①-01	LST-010315	Wheel for Ø42 rope*	1
②	LST-010247	Distance washer	1
③-00	LST-017171	Rubber ring for Ø38 rope* 1	

*Other diameter on demand: Ø36 to 45 mm.

Marker	Cat. no	Designation	Quantity
③-01	LST-017174	Rubber ring for Ø42 rope* 1	
④	LST-010429	Circlip	1
⑤	STD-000817	Bearing	2
⑥	LST-011018	Dust cover	2

2 LINE

Sheave assembly

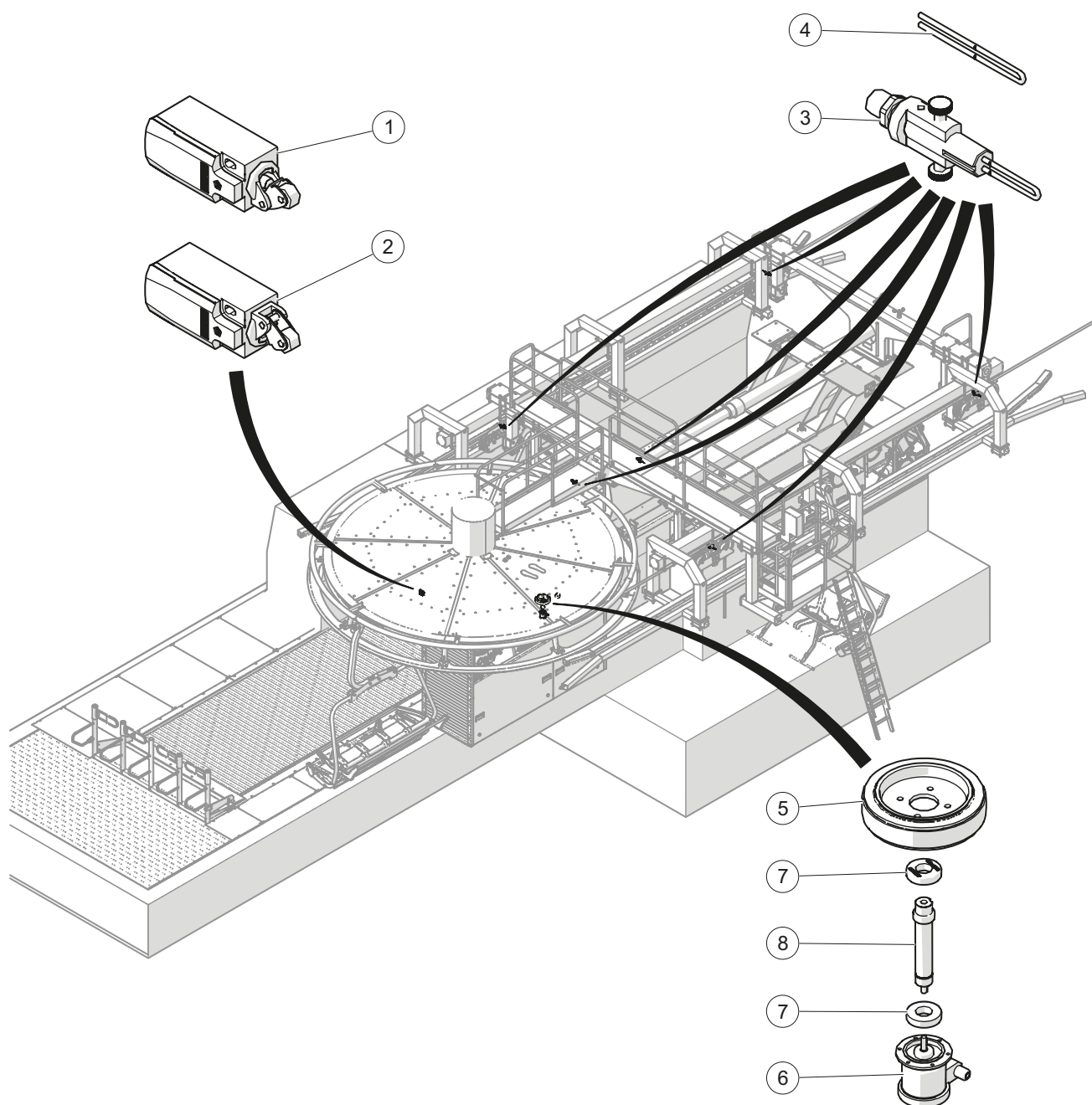


Marker	Cat. no	Designation	Quantity	Marker	Cat. no	Designation	Quantity
①	LST-010241	Bearing sleeve	2	④	LST-010237	Bearing sleeve	4
②	LST-004417	Break fork switch	1	⑤	LST-010206	Distance washer	2
③-00	LST-000533	Break fork 122 mm	1	⑥	LST-010193	Axle	2
③-01	LST-020855	Break fork 200 mm	1	⑦	LST-010194	Axle	4

* Delivered without break fork.

3 SENSOR

Drive station



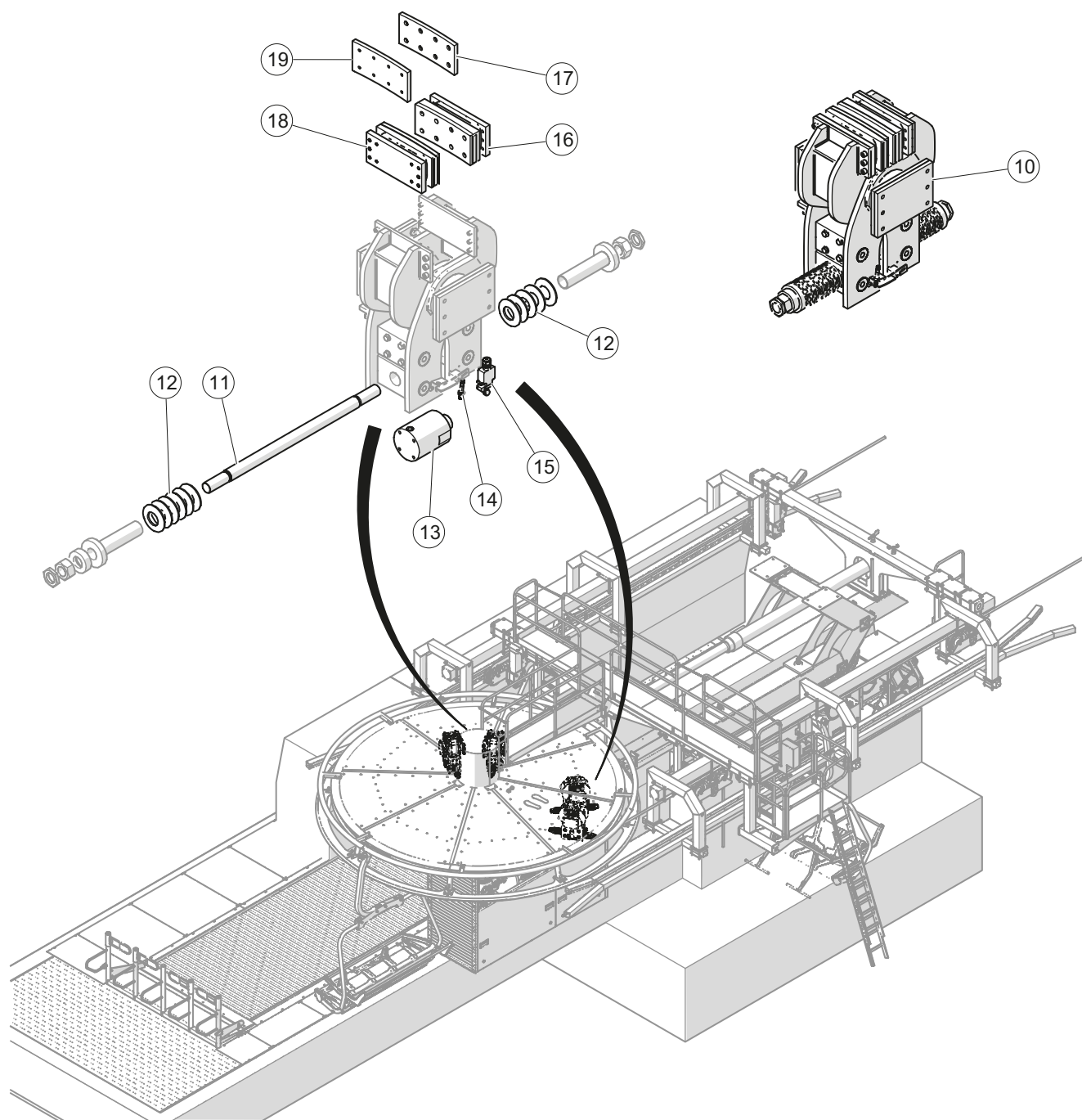
Marker	Cat. no	Designation	Quantity
①	LST-019873	High position sensor	1
②	LST-019876	Low position sensor	1
③	LST-004417	Break fork switch*	1
④	LST-000533	Break fork 122 mm	1

Marker	Cat. no	Designation	Quantity
⑤	LST-004948	Wheel	1
⑥	LST-005008	Encoder	1
⑦	LST-004925	Bearing	1
⑧	LST-004924	Axle	1

* Delivered without break fork.

3 SENSOR

Drive station

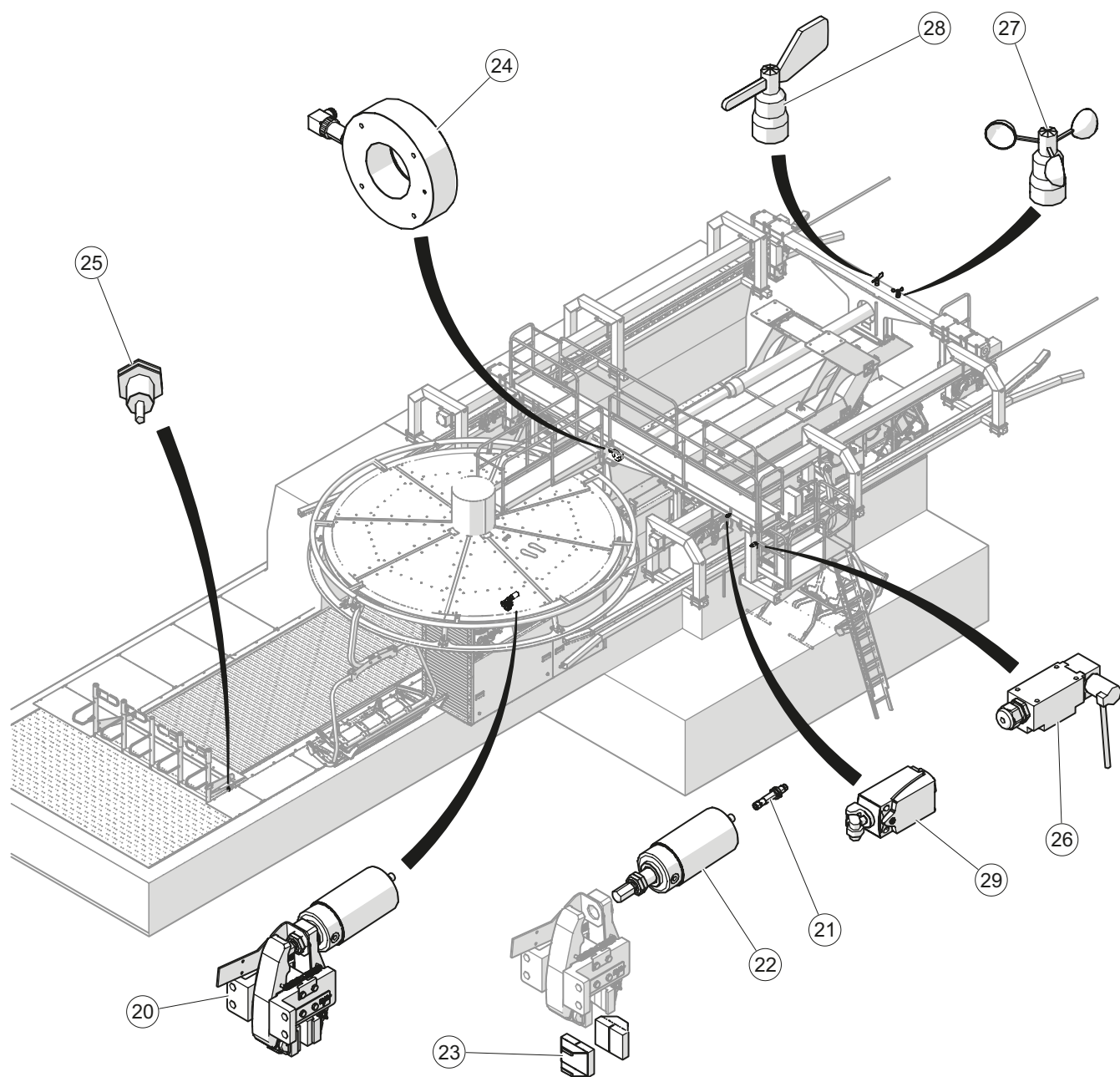


Marker	Cat. no	Designation	Quantity
⑩	LST-038883	Emergency brake	1
⑪	LST-006040	Axle	1
⑫	LST-004598	Spring washer	1
⑬	LST-006057	Jack	1
⑭	LST-038875	Inductive sensor	1
⑮	LST-036798	Mechanical sensor	1

Marker	Cat. no	Designation	Quantity
⑯	LST-006078	Brake pad set ext.	1
⑰	LST-006056	Brake pad ext.	1
⑱	LST-006077	Brake pad set int.	1
⑲	LST-006052	Brake pad int.	1

3 SENSOR

Drive station

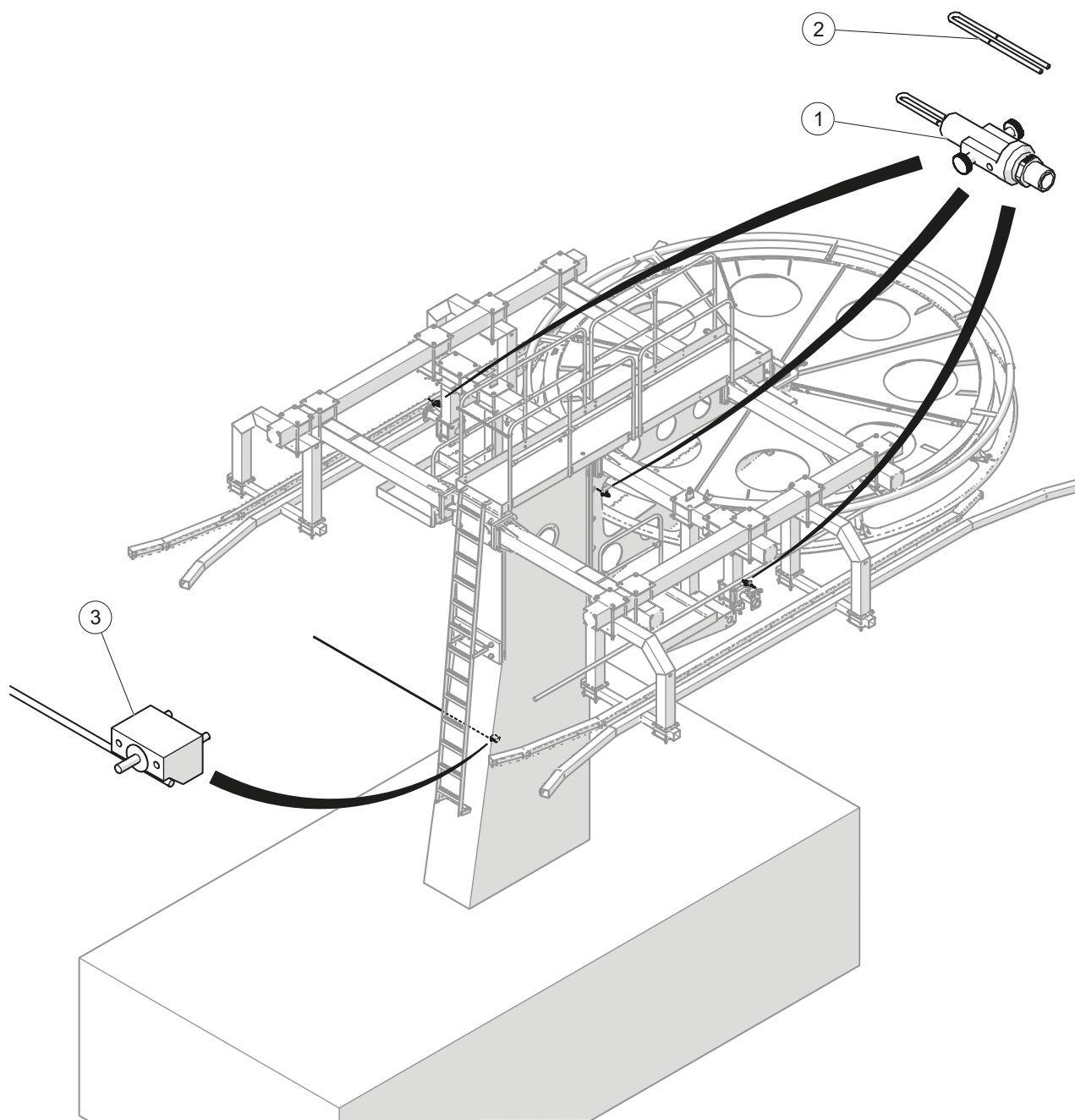


Marker	Cat. no	Designation	Quantity
20	225910	Service brake	1
21	LST-038875	Sensor	1
22	LST-005475	Jack	1
23	LST-005472	Brake pad (x2)	1
24	LST-053106	Force sensor	1

Marker	Cat. no	Designation	Quantity
25	LST-035606	Inductive sensor	1
26	LST-005322	Non landing sensor	1
27	224011	Anemometer	1
28	224012	Weathercock	1
29	225889	Grounded sensor	1

3 SENSOR

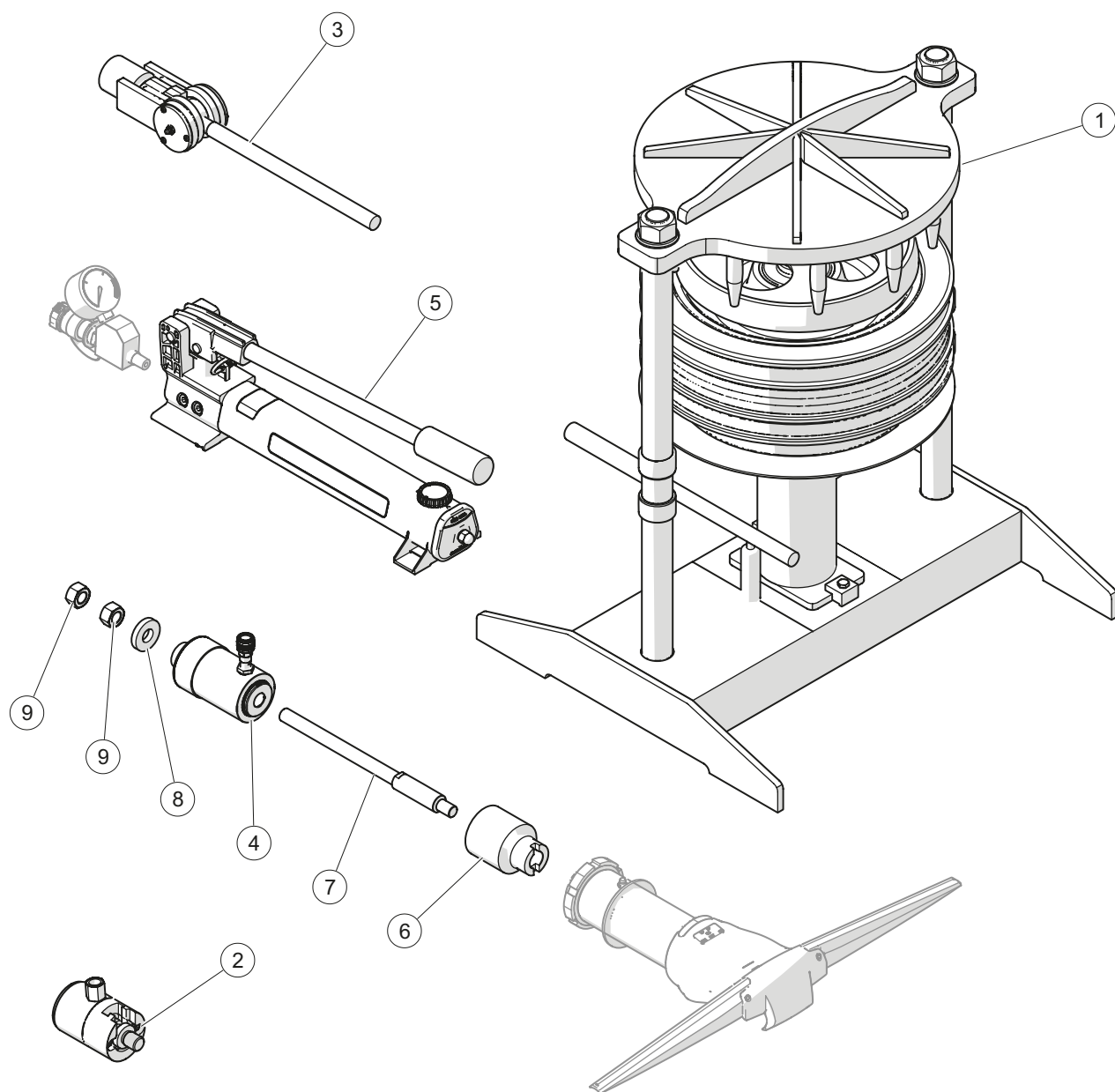
Return station



Marker	Cat. no	Designation	Quantity
①	LST-004417	Break fork switch*	1
②	LST-000533	Break fork 122mm	1

Marker	Cat. no	Designation	Quantity
③	LST-027755	Non landing sensor (SG Type)	1

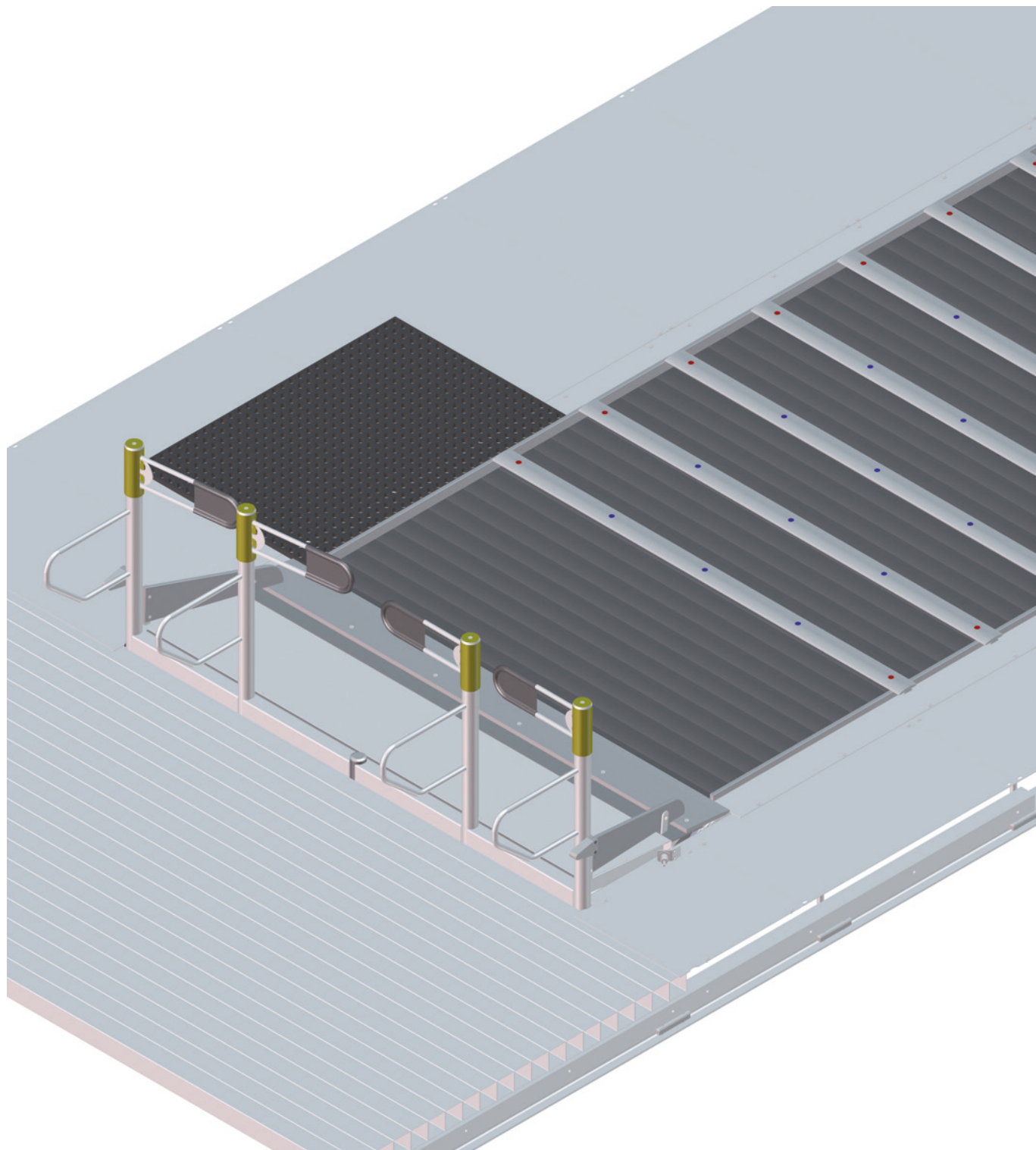
* Delivered without break fork.



Marker	Cat. no	Designation	Quantity
①	LST-011007	Hydraulic press	1
②	LST-027265	Jack for FK2 displacement1	1
③	LST-028611	FK1 grip displacement	1
④	222975	FK2B grip assembly and displacement	1
⑤	225735	Displacement pump	1

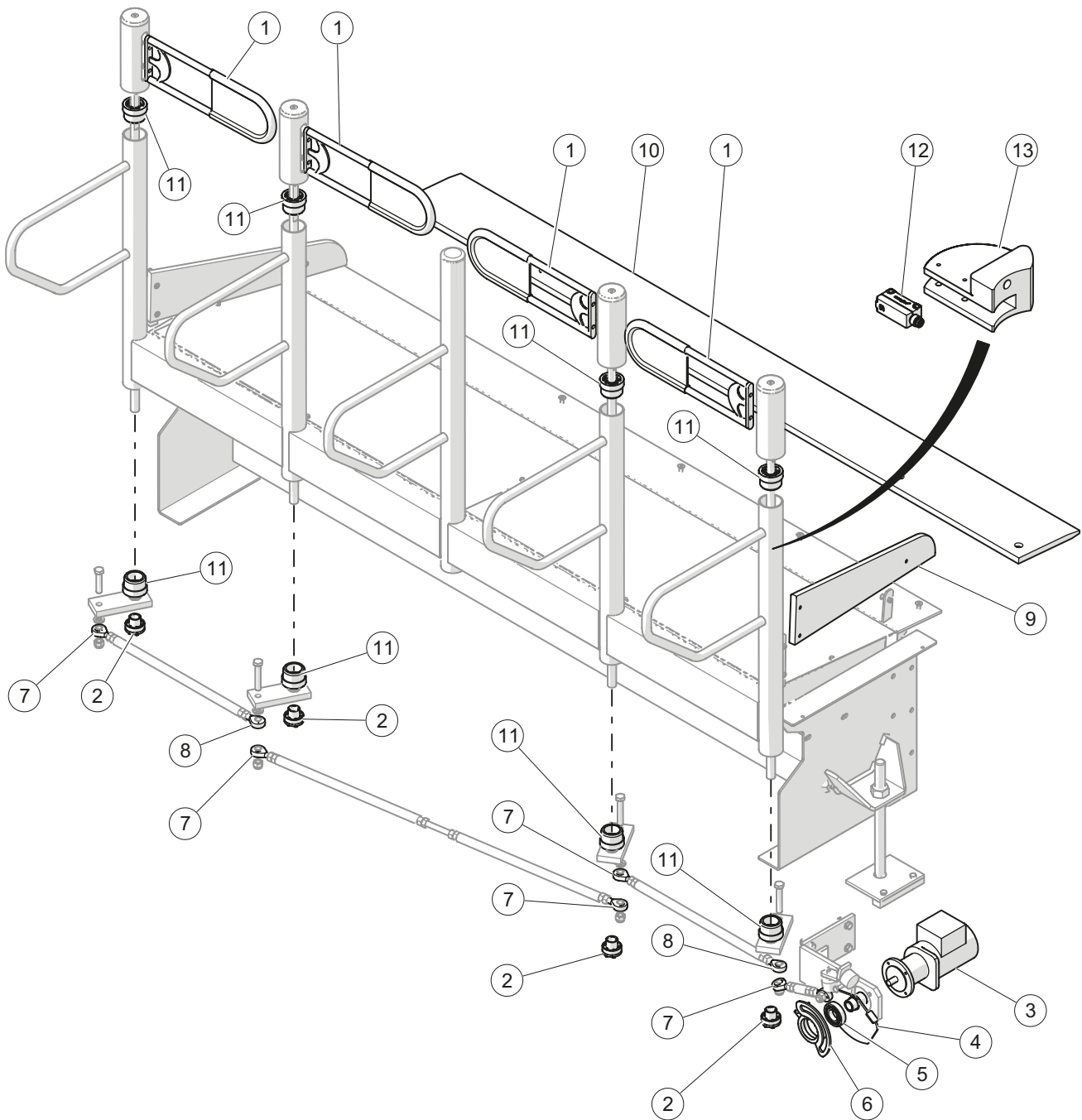
Marker	Cat. no	Designation	Quantity
⑥	212541	FK2B displacement support	1
⑦	212542	FK2B displacement tool axle	1
⑧	221459	Washer	1
⑨	6121339	Nut	1

5 LOADING BELT



5 LOADING BELT

4 seater loading gate

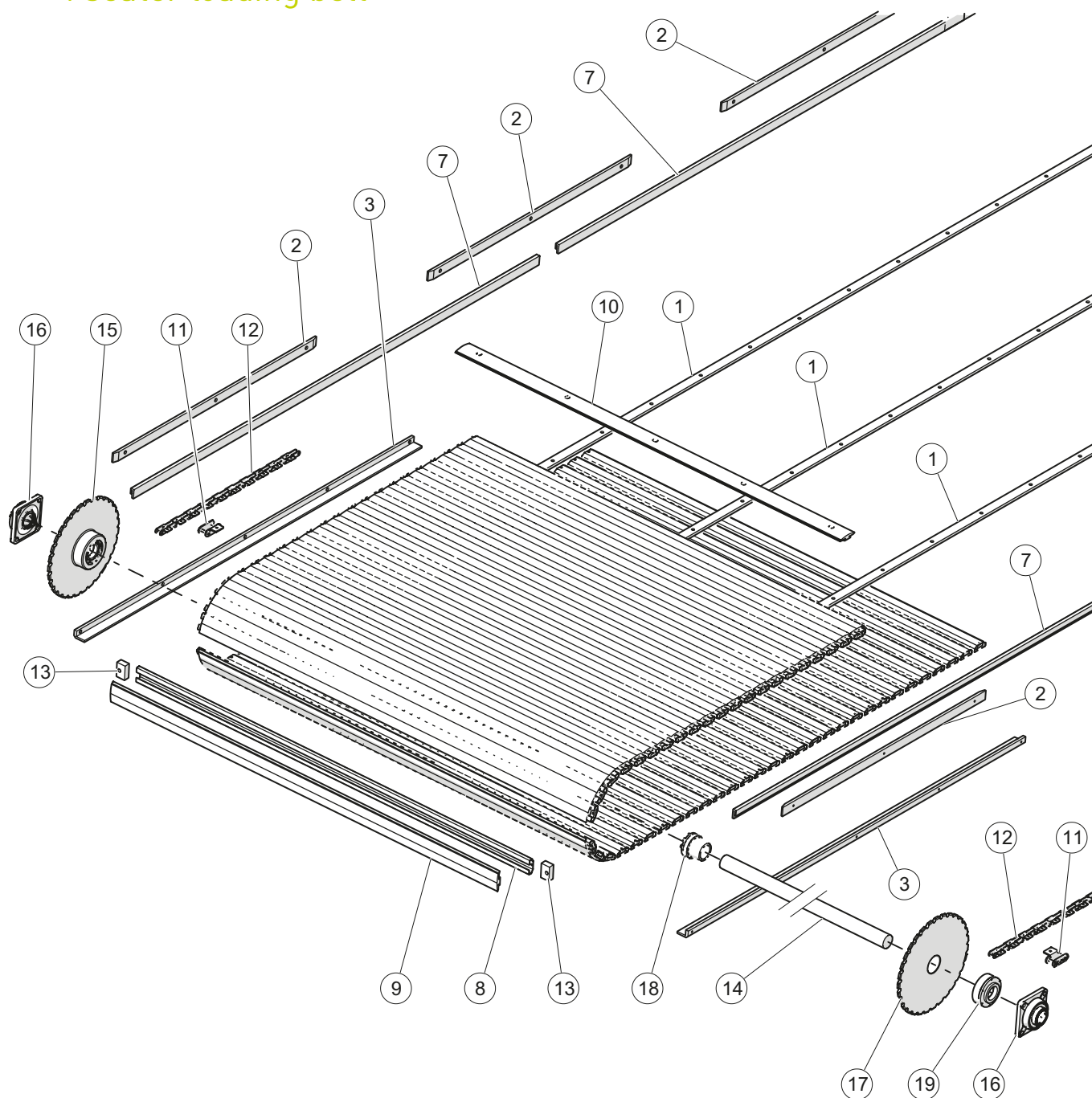


Marker	Cat. no	Designation	Quantity
①	LST-033776	Rubber wing	1
②	LST-033795	Clamping bush	1
③	LST-033883	Gear motor	1
④-00	LST-033746	Opening frame right	1
④-01	LST-035967	Opening frame left	1
⑤	STD-001611	Ball bearing	1
⑥-00	LST-033769	Motor support right	1
⑥-01	LST-035968	Motor support left	1

Marker	Cat. no	Designation	Quantity
⑦	LST-033862	Ball joint left	1
⑧	LST-033857	Ball joint right	1
⑨	LST-033895	Lateral plastic	1
⑩	LST-034111	Loading plastic	1
⑪	STD-002135	Ball bearing	1
⑫	LST-051701	Counting sensor	1
⑬	LST-036515	Counting sensor support	1

5 LOADING BELT

4 seater loading belt



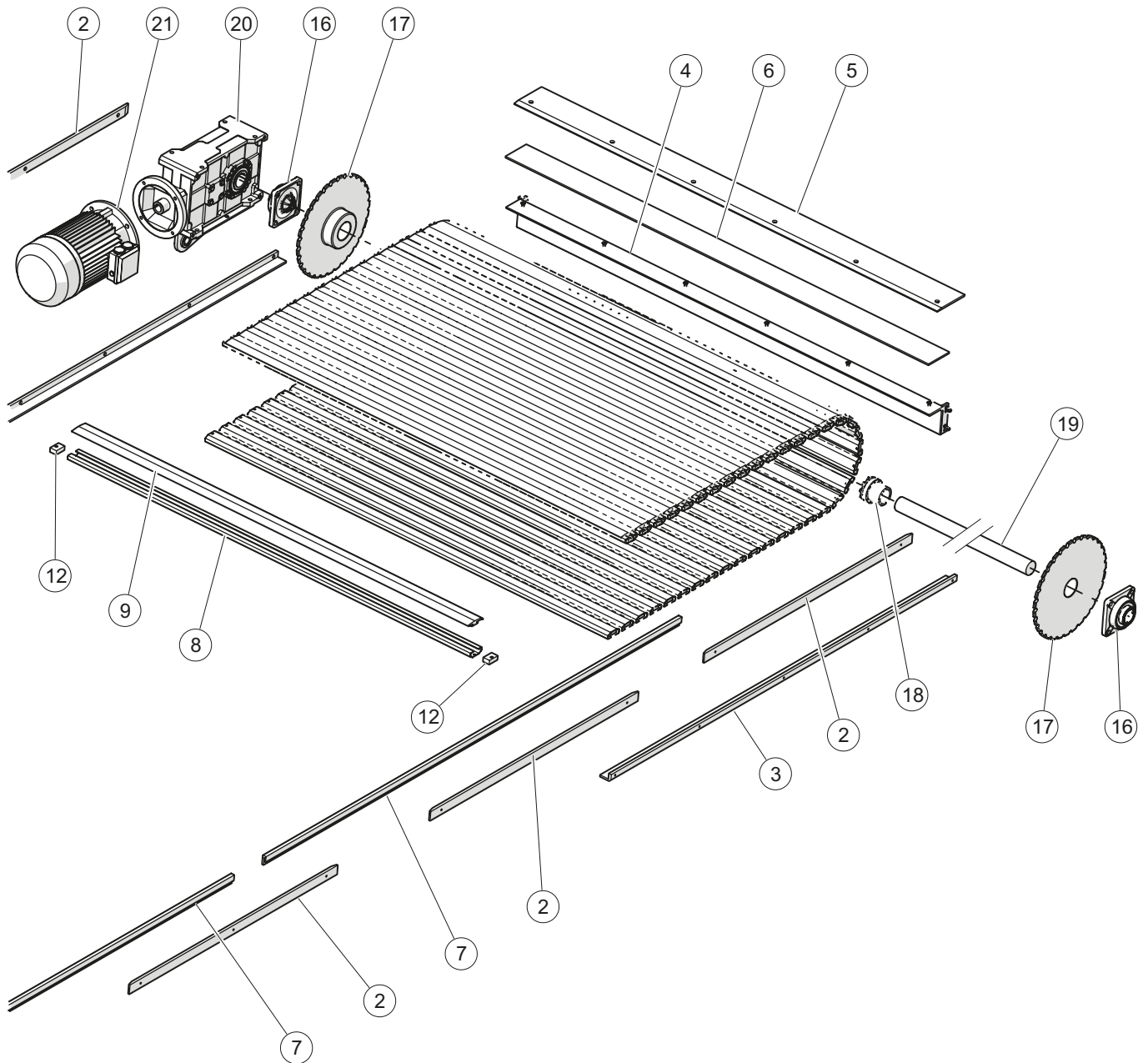
Marker	Cat. no	Designation	Quantity
①	LST-034313	Sliding plate 6000 mm	1
②	LST-034250	Sliding plate 1500 mm	1
③	LST-034254	Sliding plastic angle 2500 mm	1
⑦	LST-034300	Side cover 3000 mm	1
⑧	LST-033933	C-profile (steel frame)	1
⑨	LST-033939	Rubber lath	1
⑩	LST-037109	Plastic lath	1
⑪	LST-034032	Chain lock	1

Marker	Cat. no	Designation	Quantity
⑫	LST-034035	Chain*	1
⑬	LST-034336	Spacer	1
⑭	LST-034166	Return shaft	1
⑮	LST-034320	Chain wheel with ball bearing	1
⑯	LST-033999	Bearing	1
⑰	LST-034154	Chain wheel	1
⑱	LST-034278	Clamping bush	1

* 1U = 1 m

5 LOADING BELT

4 seater loading belt



Marker	Cat. no	Designation	Quantity
②	LST-034250	Sliding plate 1500 mm	1
③	LST-034254	Sliding plastic angle 2500 mm	1
④	LST-034197	Complete exit frame	1
⑤	LST-034292	Exit plastic	1
⑥	LST-034294	Rubber lip	1
⑦	LST-034300	Side cover 3000 mm	1
⑧	LST-033933	C-profile (steel frame)	1
⑨	LST-033939	Rubber lath	1

Marker	Cat. no	Designation	Quantity
⑫	LST-034336	Spacer	1
⑯	LST-033999	Bearing	1
⑰	LST-034154	Chain wheel	1
⑱	LST-034278	Clamping bush	1
⑲	LST-034169	Drive shaft	1
⑳	LST-033110	Gearbox TC180 I40	1
㉑	LST-041938	Motor 11KW	1